

**IMT products are:**

- Maintenance free
- Safety
- Environmental friendly

# IQL®

## Albireo Floodlight

### Main Characteristics

100,000 'maintenance free' operational hours\*  
 Luminaire is sealed for life  
 Shock and vibration resistant  
 Patented construction

### Specification/Technical Data

Housing	: Anodised aluminium
Lens	: Toughened Glass
Colour Rendering	: RA>80
Lamp Colour	: White (colour 830)
Ingress Protection	: IP66
Voltage Range	: 200-277Vac/dc 50/60Hz +/- 6% or 100-120Vac/dc +/- 6%
Burning Position	: Universal
(Re)ignition	: Instant
Ambient Temperature	: -40°C to +40°C
Power Factor/ Cos φ	: > 0.92
Connection	: Standard - Junction Box c/w 1x M25 entry, Terminals suitable for max 4 mm <sup>2</sup>

### Options

Wattage	: 55Watt, 85 Watt and 165 Watt
Lamp Colour	: Warm White (colour 827), Cool White (colour 840), ClearSky
Industrial Version	: IP66
Hazardous Areas	: ATEX Category 2 (Zone 1 and Zone 21)

### Certification details EX version

ATEX Classification	: Group II, Category 2, Gas and Dust
Area Classification	: Category 2 (Zone 1 and 21)
Certificate (kema)	: KEMA 02ATEX1257X
Certificate (gost)	: POCC NL MJT14.B00240
Marking	: EX II 2 GD Ex e mb T4 T135°C



*IQL® Albireo Floodlight 55/85W*

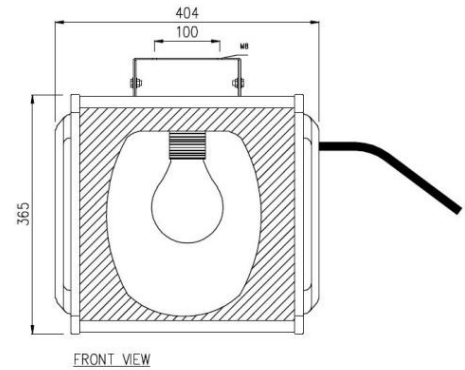
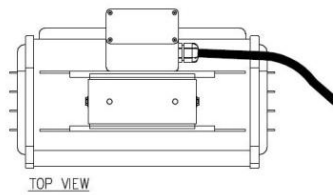
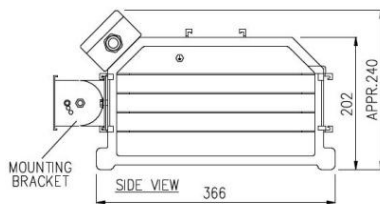


*IQL® Albireo Floodlight 165W*

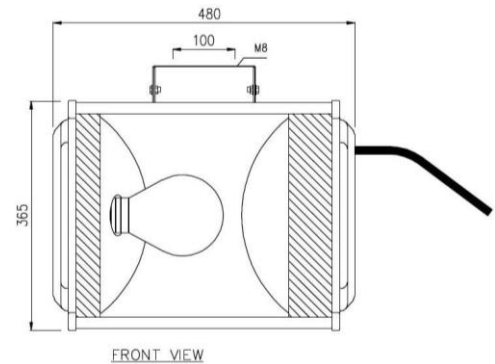
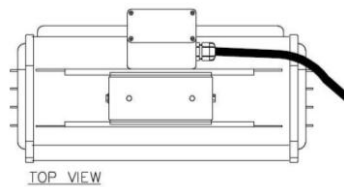
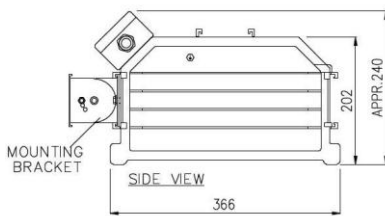
\* 165 watt 60,000 'maintenance free' operational hours

## Dimensions

### 55/85 watt



### 165 watt



## Ordering Details

Article code	Version	Wattage	Voltage	Connection	Weight
EQFH4BA0B241	EX	55W	230V	E012129 junction box with 1 M25 entrie	9Kg
EQFH4BA0B441	IP66	55W	230V	E012129 junction box with 1 M25 entrie	9Kg
EQFI4BA0B241	EX	85W	230V	E012129 junction box with 1 M25 entrie	9Kg
EQFI4BA0B441	IP66	85W	230V	E012129 junction box with 1 M25 entrie	9Kg
EQFJ4BA0B241	EX	165W	230V	E012129 junction box with 1 M25 entrie	10Kg
EQFJ4BA0B441	IP66	165W	230V	E012129 junction box with 1 M25 entrie	10Kg