



The IMT products are:

- Maintenance free
- Safety
- Environmental friendly

ILED® Aquarius Illuminated Windsock

Main Characteristics

Maintenance free lighting fixture (except for windcone)
 Luminaire is sealed for life
 100.000 burning hours
 Shock and vibration resistant
 Complies to ICAO and CAP437 amongst others.

Specification/Technical Data

Luminaire Housing : Marine grade aluminium anodised
 Ingress Protection : IP66
 Voltage Range : 95-255Vac Multi voltage or 24Vdc ±10%
 Power : +/- 20W (without top light)
 Burning Position : Horizontal beam
 (Re)ignition : Instant
 Ambient Temperature : -40°C to +55°C
 Power Factor/ Cos φ : >0.90
 Connection : Fitted as standard with a marine grade aluminium Ex ed Junction Box c/3xM20 entries, Terminals suitable for max 4 mm², Suitable for through wiring

Certification details

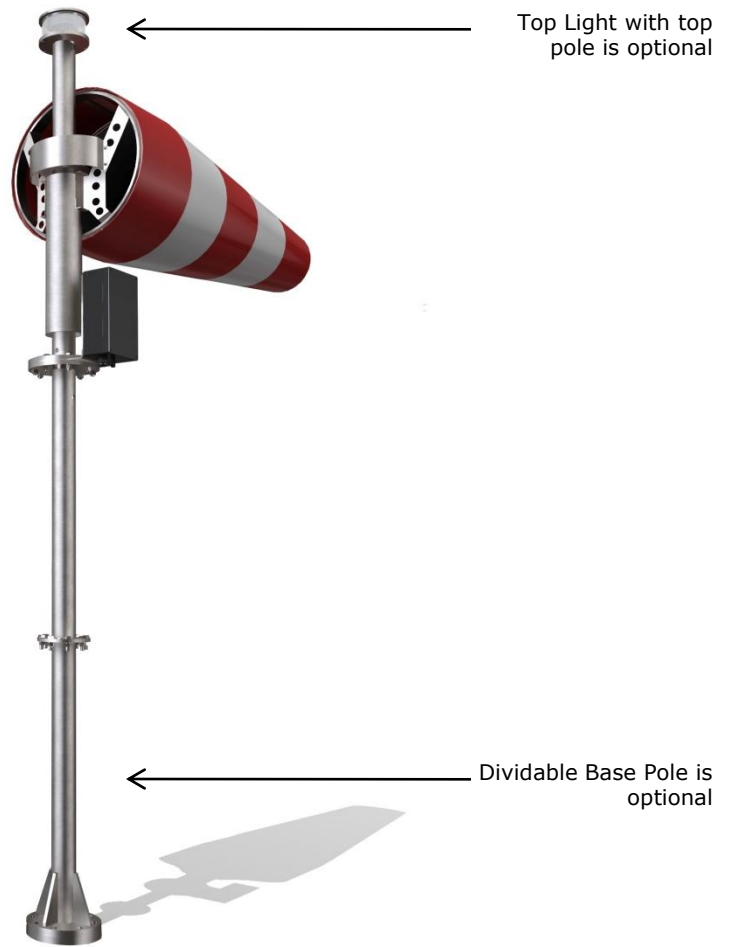
ATEX Classification : Group II, Category 2, Gas and Dust
 Area Classification : Category 2 (Zone 1 and 21)
 Certificate : SIRA 11ATEX3101X
 Certificate : IECEx SIR 11.0046X
 Marking : EX e IIC T4 Gb
 : EX tb IIIC T135°C IP66 Db

Options

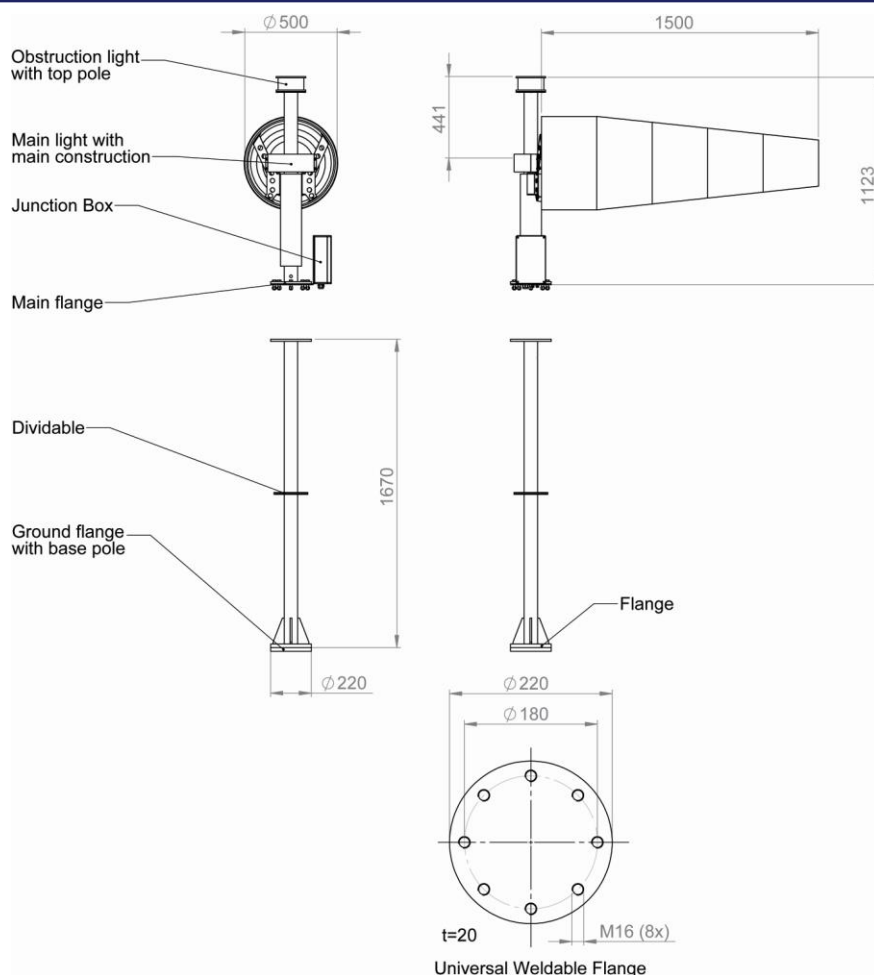
Dividable Base Pole : Stainless steel 316L

Top Light with top pole :
 Top pole : Stainless steel 316L
 Luminaire Housing : Hard anodised marine grade aluminium

Ingress Protection : IP66
 Red steady burning : 24V 10W
 Type A/B low intensity obstruction light 32cd
 According to ICAO Annex 14 and CAA CAP437



Dimensions



Ordering Details

Article code	Voltage	Version	Connection	Weight
EWSW5AR0E441	Multi-Voltage	IP66	E016269 junction box M20 entries with ECP*	± 35 Kg
EWSW5AR0E241	Multi-Voltage	EX	EJB-2 junction box Ex-d M20 entries	± 35 Kg

Ordering Details options

Article code	Component	Voltage	Version	Connection	Weight
EWOW5AR0E241	Obstructionlight	Multi-Voltage	EX	EJB-2 junction box Ex-d M20 entries	± 5 Kg
EABASEPOLE	Basepole SS316L + flange				± 20 Kg

*Earth Continuity Plate