



**IMT products are:**

- Maintenance free
- Safety
- Environmental friendly

## **ILED®** Aquarius Perimeter Light

### **Main Characteristics**

Approx 100,000 'maintenance free' operational hours.  
Luminaire is sealed for life  
Shock and vibration resistant  
According to ICAO Annex 14, CAA CAP 437 and IMO Modu code 2001

### **Specification/Technical Data**

Housing : Stainless Steel 316L (AISI)  
Lens : Toughened Soda Lime Glass  
Ingress Protection : IP66  
Voltage Range : Multi-voltage (95 - 255 Vac/130-360 Vdc 50/60Hz)  
24 Vdc ±10%  
Power : Multi-voltage 9w max.  
24Vdc 4w max.  
Burning Position : Universal  
(Re)ignition : Instant  
Ambient Temperature : -40°C to +55°C  
Termination : Standard – Ex e Junction Box c/w  
3xM20 entries, Terminals suitable  
for max 4 mm<sup>2</sup>, Suitable for  
through wiring

### **Certification details**

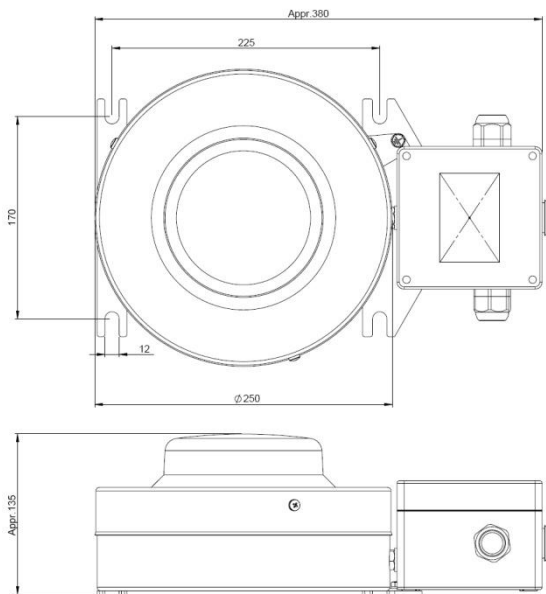
ATEX Classification : Group II, Category 2, Gas and Dust  
Area Classification : Category 2 (Zone 1 and 21)  
Certificate (kema) : KEMA 08ATEX0158X  
Certificate (ncc) : NCC 6386/10X  
Marking : EX II 2 G Ex e mb II T4  
EX II 2 D Ex tD A21 IP66 T 100 °C

### **Options**

Mounting Brackets : On request  
Industrial Version : IP66



## Dimensions



## Ordering Details

Article code	Version	Wattage	Voltage	Connection	Weight
ELPZ1AP0E243	EX	4W	24 Vdc	E012129 junction box 3 M20 entries with ECP*	9Kg
ELPZ5AP0E243	EX	9W	Muliti-voltage	E012129 junction box 3 M20 entries with ECP*	9Kg

\* Earth Continuity Plate