

The IMT products are:

- Maintenance free
- Safety
- Environmental friendly

ILED® Aquarius Status Light

Main Characteristics

80,000 'maintenance free' operational hours.
Luminaire is sealed for life
Shock and vibration resistant
Patented construction

Specification/Technical Data

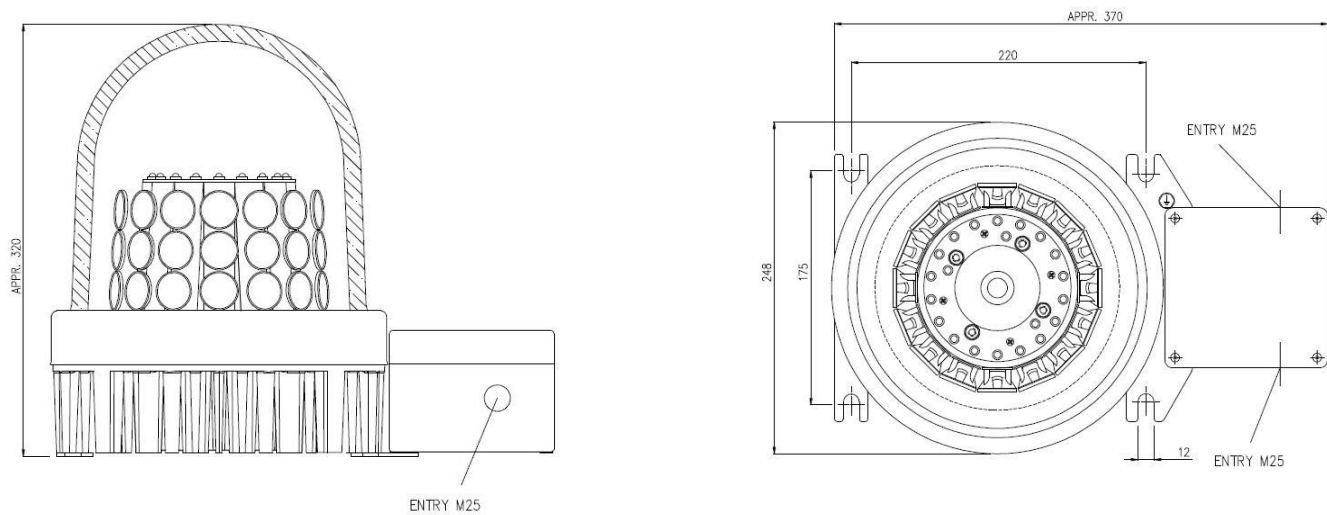
Housing	: Alluminium Heatsink and Stainless Steel 316L (AISI)
Lens	: Clear Borosilicate Glass
Ingress Protection	: IP66
Input Voltage	: 24Vdc ±10%
Input Current	: 7A
Light Source	: LED
LED Colour	: Red According to ICAO
Light output high Intensity	: 700cd minimum 2-10°, 176cd minimum up to 0°-90°, according to CAA regulation (CAP437)
Light output low Intensity	: 60cd maximum, according to CAA regulations (CAP437)
Flash frequency	: 2Hz
Burning Position	: Universal
Ambient Temperature	: -40°to +40°C
Termination	: Standard -Junction Box c/w 3xM25 entries, Terminals suitable for max 10mm ² and communication max. 4mm ²

Certification details

ATEX Classification	: Group II, Category 2, Gas and Dust
Area Classification	: Category 2 (Zone 1 and 21)
Certificate (kema)	: KEMA 05ATEX2062
Certificate (gost)	: POCC NL MJT14.B00Z40
Vertificate (ncc)	: NCC 6387/10
Marking	: ExII 2GD Ex e mb T4 T135°C



Dimensions



Ordering Details

Article code	Voltage	Connection	Weight
ELWA1Zc0C241	24V	E012129 junction box with 3 M25 entries	15Kg