

**IMT products are:**

- Maintenance free
- Safety
- Environmental friendly

# IQL®

## Aquarius Perimeter Light

### Main Characteristics

100,000 'maintenance free' operational hours.  
Luminaire is sealed for life  
Shock and vibration resistant  
Patented construction

### Specification/Technical Data

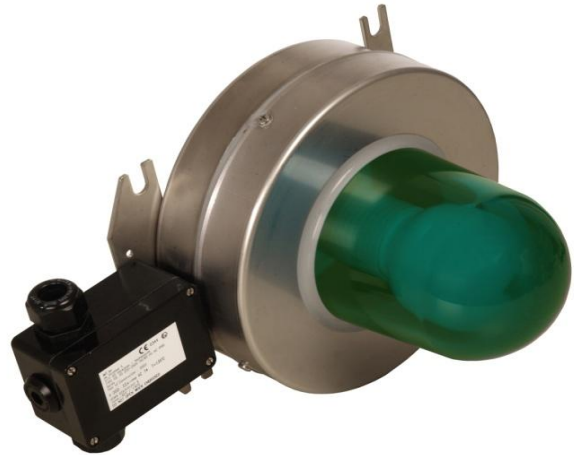
Housing	: Stainless Steel 316L (AISI)
Lens	: Toughened Green Soda Lime Glass
Ingress Protection	: IP66
Voltage Range	: 200-277Vac/dc 50/60Hz +/- 6% or 100-120 Vac/dc +/- 6%
Power	: 55 Watt
Burning Position	: Universal
(Re)ignition	: Instant
Ambient Temperature	: -40°C to +40°C
Power Factor/ Cos φ	: >0.92
Termination	: Standard - Junction Box c/w 3xM25 entries, Terminals suitable for max 4 mm <sup>2</sup> , Suitable for through wiring

### Options

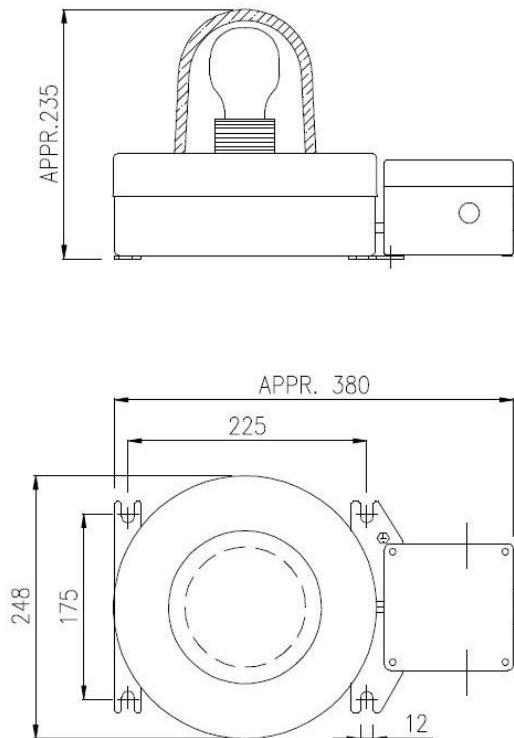
Lens	: Toughened Red Soda Lime Glass
High Temperature	: Up to +55°C Ambient
Mounting Brackets	: On request
Industrial version	: IP66
Hazardous Areas	: ATEX Category 2 (Zone 1 and Zone 21)

### Certification details EX version

ATEX Classification	: Group II, Category 2, Gas and Dust
Area Classification	: Category 2 (Zone 1 and 21)
Certificate (kema)	: KEMA 02ATEX1257X
Certificate (gost)	: POCC NL MJT14.B00240
Marking	: EX II 2 GD EEx me II T4 T135°C



## Dimensions



## Ordering Details

Article code	Version	Wattage	Voltage	Connection	Weight
EQLH4BH0C241	EX	55W	230V	E012129 junction box with 3 M25 entries	7Kg
EQLH4BH0C441	IP66	55W	230V	E012129 junction box with 3 M25 entries	7Kg