



IMT products are:

- Maintenance free
- Safety
- Environmental friendly

ILED® Aquarius Bi-Colour Perimeter Light

Main Characteristics

Approx 100,000 'maintenance free' operational hours.
Luminaire is sealed for life
Shock and vibration resistant
According to IMO Modu code 2001

Specification/Technical Data

Housing	: Stainless Steel 316L (AISI)
Lens	: Toughened Soda Lime Glass
Colours	: Green/Blue : Green/Yellow
Ingress Protection	: IP66
Voltage Range	: Multi-voltage (95 - 255 Vac)
Power	: Green/Blue 20W max. : Green/Yellow 10W max.
Burning Position	: Universal
(Re)ignition	: Instant
Ambient Temperature	: -40°C to +55°C
Termination	: Standard – Junction Box c/w 3xM20 entries, Terminals suitable for max 4 mm ² , Suitable for through wiring

Options

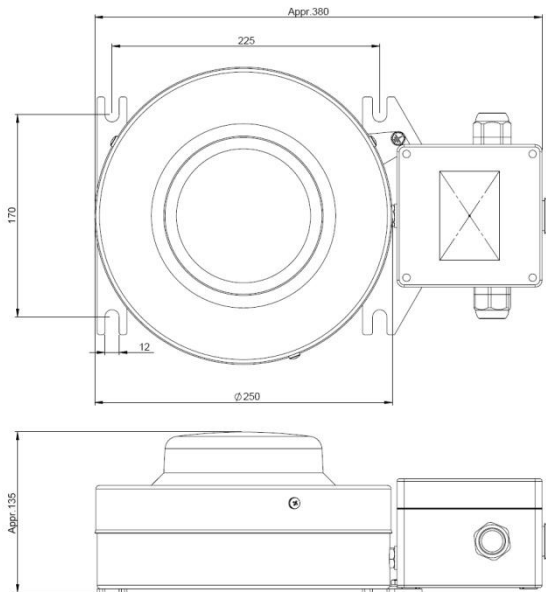
Mounting Brackets : On request

Colors

Green	: As helideck perimeter light; output & distribution as per ICAO and CAP437
Yellow/Orange/Amber	: As helideck perimeter light; output & distribution as per previous ICAO.
Blue	: As helideck perimeter light; output & distribution as per previous ICAO.



Dimensions



Ordering Details

Article code	Version	Wattage	Voltage	Connection	Weight
ELPZ5PP0S443	Green/Blue	20W	Multi-Voltage	E012129 junction box 3 M20 entries with ECP*	9Kg
ELPZ5QP0S443	Green/Yellow	10W	Muliti-voltage	E012129 junction box 3 M20 entries with ECP*	9Kg

* Earth Continuity Plate