

IMT products are:

- Maintenance free
- Safety
- Environmental friendly

ILED® Aquarius Floodlight

Main Characteristics

Approx 100.000 hours Maintenance Free
 Luminaire is " Sealed for Life"
 Shock and vibration resistant
 According to ICAO Annex 14, CAA CAP437 and IMO Modu Code 2001

Specification/Technical Data

Housing	: Marine Grade Aluminium Anodized
Lens	: Borosilicate Glass with internal fresnel lens (PMMA)
Light source	: LEDs
Ingress Protection	: IP66
Voltage Range	: Multi-Voltage (95-255 Vac 50/60Hz) 24Vdc ±10%
Power	: 40 Watt max.
Burning Position	: Horizontal
(Re)ignition	: Instant
Ambient Temperature	: -40°C to +55°C
Termination	: Standard junction box 2x M25x1,5 entries, terminals suitable for max. 4mm ² , suitable for trough wiring.

Options

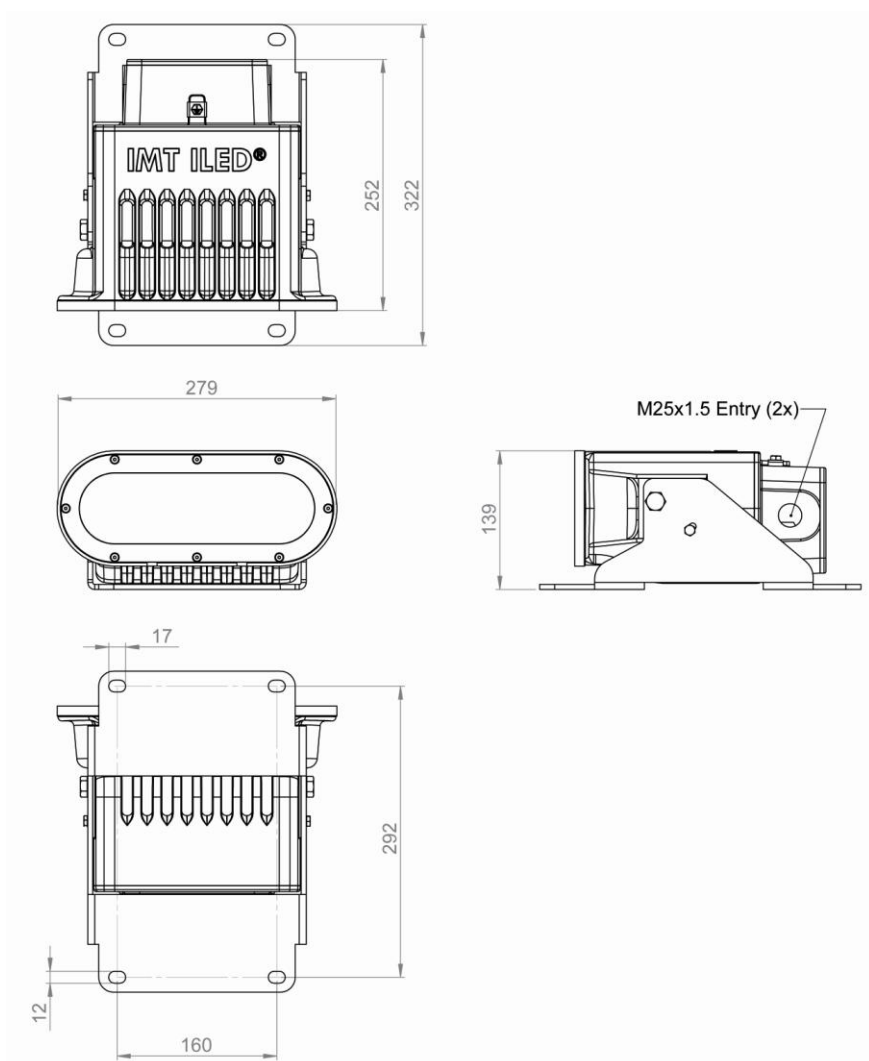
Mounting Brackets	: On request
Industrial version	: IP66
Hazardous Areas	: ATEX Category 2 (Zone 1 and Zone 21)

Certification details EX version

ATEX Classification	: Group II, Category 2, Gas and Dust
Area Classification	: Category 2 (Zone 1 and 21)
Certificate	: SIRA 11ATEX3295X (pending) IECEX SIR 11.0142X (pending)
Marking	: Ex II 2 GD Ex e mb IIC T4 Gb Ex II 2 GD Ex tb IIIC T135°C Db IP66



Dimensions



Ordering Details

Article code	Version	Voltage	Connection	Weight
ELFA1KZ0A243	Zone1	24Volt	Junction box 2x M25x1,5 entries	±10 kg
ELFA1KZ0A443	Safe Area	24Volt	Junction box 2x M25x1,5 entries	±10 kg
ELFA5KZ0A243	Zone1	Multi Voltage	Junction box 2x M25x1,5 entries	±10 kg
ELFA5KZ0A443	Safe Area	Multi Voltage	Junction box 2x M25x1,5 entries	±10 kg