



The IMT products are:

- Maintenance free
- Safety
- Environmental friendly

ILED® Aquarius Illuminated Windsock

Main Characteristics

Maintenance free lighting fixture (except for windcone)
Luminaire is sealed for life
100.000 burning hours
Shock and vibration resistant
Complies to ICAO and CAP437 amongst others.

Specification/Technical Data

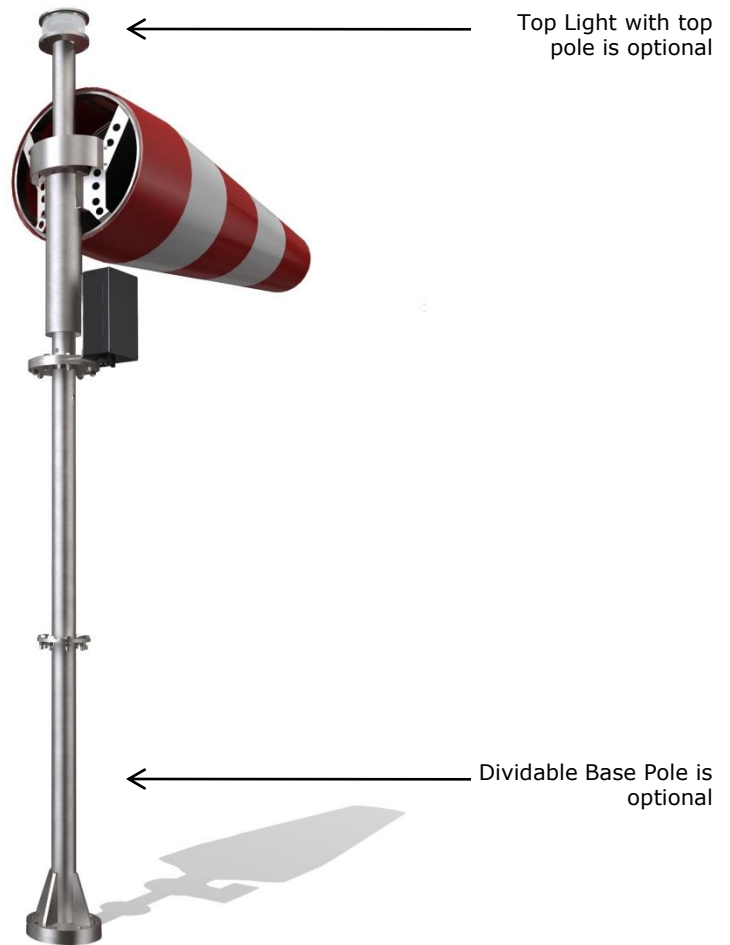
Luminaire Housing : Marine grade aluminium anodised
Ingress Protection : IP66
Voltage Range : 95-255Vac Multi voltage or
24Vdc \pm 10%
Power : +/- 20W (without top light)
Burning Position : Horizontal beam
(Re)ignition : Instant
Ambient Temperature : -40°C to +55°C
Power Factor/ Cos ϕ : >0.90
Connection : Fitted as standard with a
marine grade aluminium Ex ed
Junction Box c/3xM20 entries,
Terminals suitable for max 4
mm², Suitable for through
wiring

Certification details

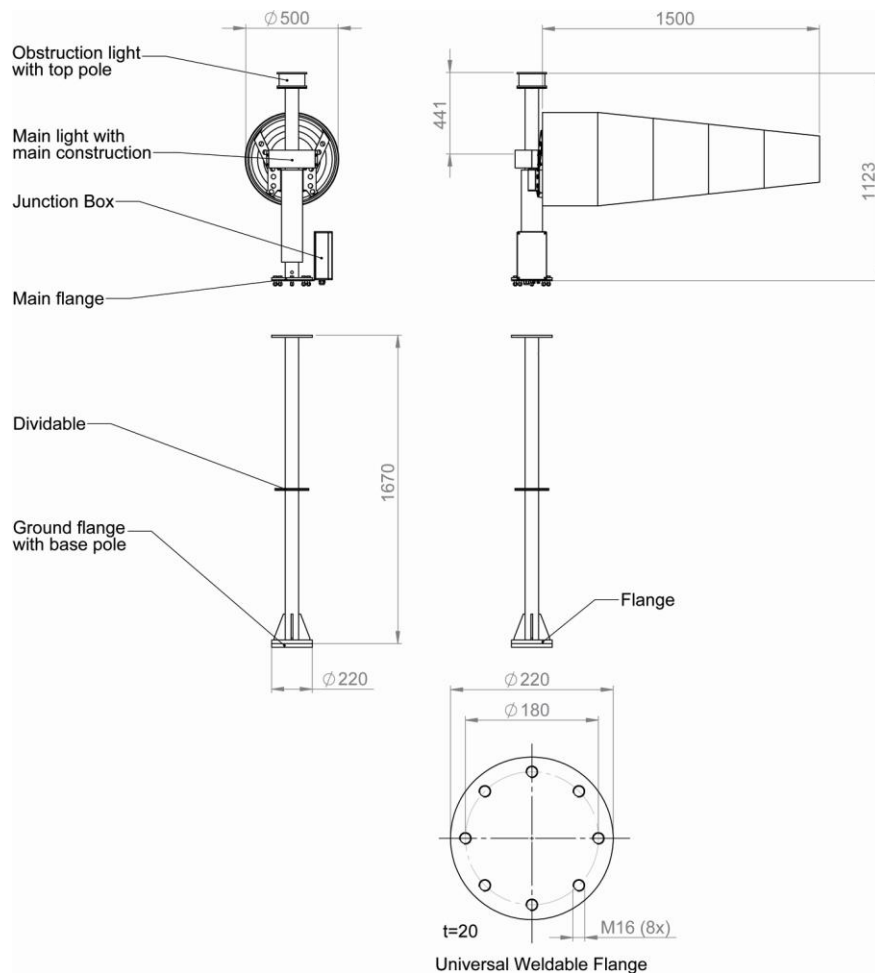
ATEX Classification : Group II, Category 2, Gas and Dust
Area Classification : Category 2 (Zone 1 and 21)
Certificate : SIRA 11ATEX3101X
Certificate : IECEx SIR 11.0046X
Marking : EX e IIC T4 Gb
: EX tb IIIC T135°C Db

Options

Dividable Base Pole : Stainless steel 316L
Top Light with top pole :
Top pole : Stainless steel 316L
Luminaire Housing : Hard anodised marine grade
aluminium
Ingress Protection : IP66
Red steady burning : 24V 10W
Type A/B low intensity obstruction
light 32cd
According to ICAO Annex 14 and
CAA CAP437



Dimensions



Ordering Details

Article code	Voltage	Version	Connection	Weight
EWSW5AR0E441	Multi-Voltage	IP66	E016269 junction box M20 entries with ECP*	± 35 Kg
EWSW5AR0E241	Multi-Voltage	EX	EJB-2 junction box Ex-d M20 entries	± 35 Kg

Ordering Details options

Article code	Component	Voltage	Version	Connection	Weight
EWOW5AR0E241	Obstructionlight	Multi-Voltage	EX	EJB-2 junction box Ex-d M20 entries	± 5 Kg
EABASEPOLE	Basepole SS316L + flange				± 20 Kg

*Earth Continuity Plate