

**IMT products are:**

- Maintenance free
- Safety
- Environmental friendly

## IQL®

### Centaur Multi Purpose Light with Emergency back-up

#### Main Characteristics

100,000 'maintenance free' operational hours.  
Luminaire is sealed for life  
Shock and vibration resistant  
Patented construction  
RB version- with replaceable battery pack with EX connectors

#### Specification/Technical Data

Housing	: Stainless Steel 316L (AISI)
Lens	: Borosilicate Glass
Colour Rendering	: RA>80
Lamp Colour	: White (colour 830)
Ingress Protection	: IP66
Voltage Range	: 200-277Vac 50/60Hz +/- 6%
Power	: 85W
(Re)ignition	: Instant
Ambient Temperature	: -20°C to +40°C
Power Factor/ Cos φ	: >0.92
Termination	: Standard - EEx e Junction Box c/w 3xM25 entries, Terminals suitable for max 4 mm <sup>2</sup>
Emergency Light	: 6 power LED (18 W)
Battery	: Environmentally friendly (no nickel cadmium) 3 Hours battery back-up Batteries charged within 24 hours LED Status indication Automatic test function with indication lights - Approx. every 50 days
RB version	: Fixture with 250mm cable with Ex plug Battery pack with SS316L mounting plate with female EX connector

#### Options

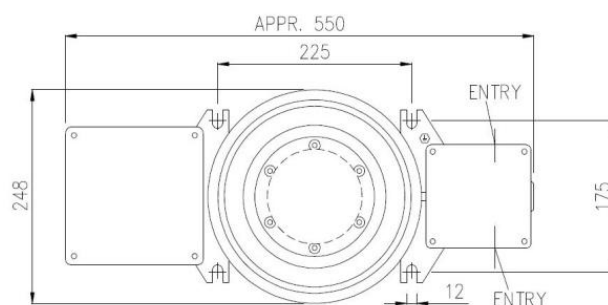
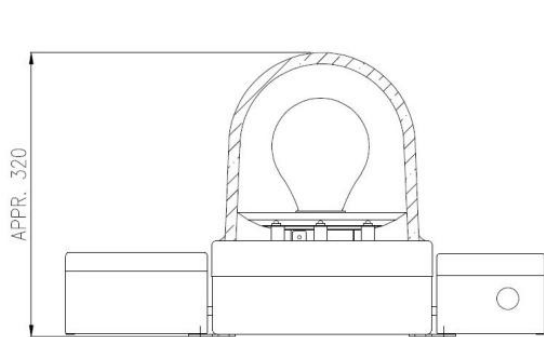
Low Ambient Temp.	: Down to -40°C
Lamp Colour	: Warm white (827) Cool White (840) ClearSky
Lens	: Clear or frosted
External Reflector	: Narrow or Wide beam
Mounting Brackets	: On request
Industrial Version	: IP66
Hazardous Areas	: ATEX Category 2 (Zone 1 and 21)

#### Certification details

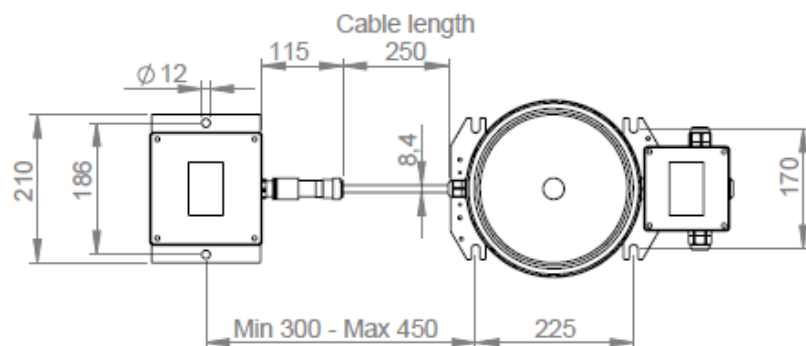
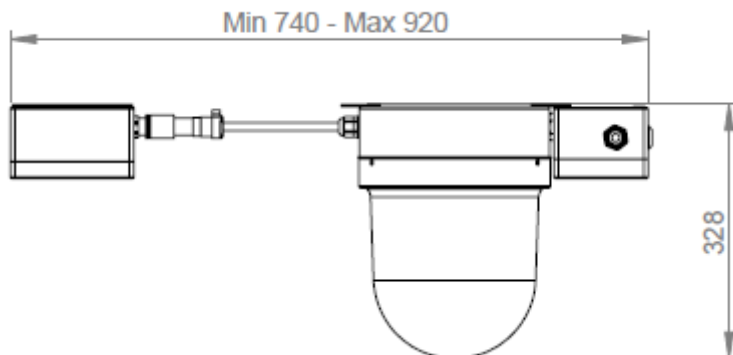
ATEX Classification	: Group II, Category 2, Gas and Dust
Area Classification	: Category 2 (Zone 1 and 21)
Certificate (kema)	: KEMA 06ATEX0261
Certificate (gost)	: POCC NL MJIT14.B00240
Marking	: EX II 2 GD Ex e mb II T4 T135°C
Marking RB version	: EX II 2 GD Ex d e mb II T4 T135°C



## Dimensions



### RB Version



## Ordering Details

Article code	Version	Wattage	Voltage	Connection	Weight
EQEI4BC0C242	EX (clear)	85W	230V	E012129 junction box with 3 M25 entries	18Kg
EQEI4BC0C442	IP66 (clear)	85W	230V	E012129 junction box with 3 M25 entries	18Kg
EQEI4BE0C242	EX (frosted)	85W	230V	E012129 junction box with 3 M25 entries	18Kg
EQEI4BE0C442	IP66 (frosted)	85W	230V	E012129 junction box with 3 M25 entries	18Kg
EQRI4BC0C242	RB - EX (clear)	85W	230V	E012129 junction box with 3 M25 entries	19Kg
EQRI4BC0C442	RB - IP66 (clear)	85W	230V	E012129 junction box with 3 M25 entries	19Kg
EQRI4BE0C242	RB - EX (frosted)	85W	230V	E012129 junction box with 3 M25 entries	19Kg
EQRI4BE0C442	RB - IP66 (frosted)	85W	230V	E012129 junction box with 3 M25 entries	19Kg