

**IMT products are:**

- Maintenance free
- Safety
- Environmental friendly

# IQL® Centaur Downlights

## Main Characteristics

60,000 'maintenance free' operational hours.\*  
Luminaire is sealed for life  
Shock and vibration resistant  
Patented construction

## Specification/Technical Data

Housing	: Stainless Steel 316L (AISI)
Lens	: Clear Borosilicate Glass
Colour Rendering	: RA>80
Lamp Colour	: White (colour 830)
Ingress Protection	: IP66
Voltage Range	: 200-277Vac/dc 50/60Hz +/- 6% or 100-120Vac/dc +/- 6%
Power	: 85W
(Re)ignition	: Instant
Ambient Temperature	: -40°C to +40°C
Power Factor/ Cos φ	: >0.92
Termination	: Standard - EExe Junction Box c/w 3xM25 entries, Terminals suitable for max 4 mm <sup>2</sup> , Suitable for through wiring

## Options

High Temperature	: Up to +55°C Ambient
Lens	: Clear Borosilicate Glass Frosted Borosilicate Glass
Lamp Colour	: Warm White (827) Cool White (840) ClearSky
Mounting Brackets	: On request
Industrial Version	: IP66
Hazardous Areas	: ATEX Category 2 (zone 1 and 21)
Emergency Version	: With ILED® emergency back up

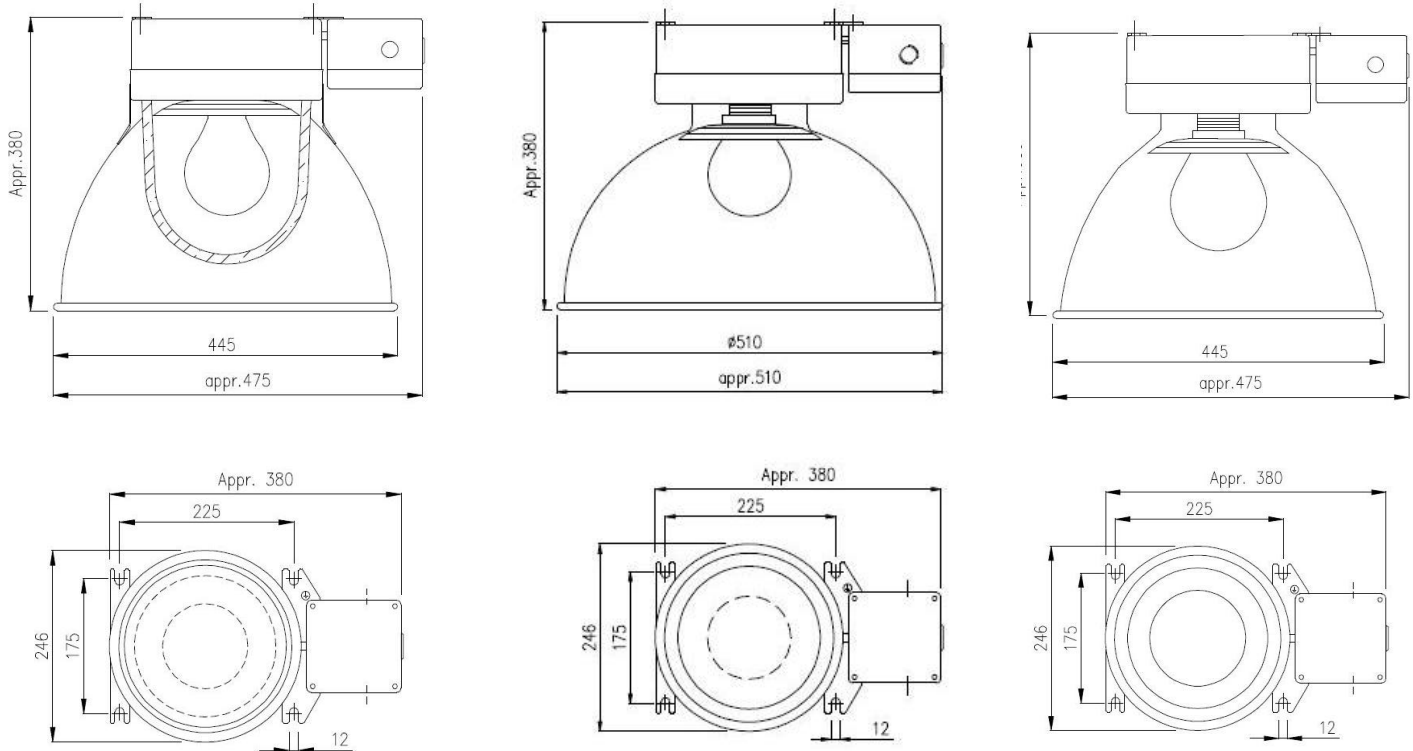
External Reflector	Narrow or Wide Beam
Industrial Version	: IP20, IP54 and IP66

## Certification details EX version

ATEX Classification	: Group II, Category 2, Gas and Dust
Area Classification	: Category 2 (Zone 1 and 21)
Certificate (kema)	: KEMA 02ATEX1257X
Certificate (gost)	: POCC NL MJT14.B00240
Marking	: EX II 2 GD EEx me II T4 T135°C



## Dimensions



## Ordering Details

Article code	Version	Wattage	Voltage	Connection	Weight
EQNI4BC1C241	EX (narrow beam)	85W	230V	E012129 junction box with 3 M25 entries	11Kg
EQNI4BC1C441	IP66 (narrow beam)	85W	230V	E012129 junction box with 3 M25 entries	11Kg
EQNI4BL1C421	IP54 (narrow beam)	85W	230V	E012129 junction box with 3 M25 entries	11Kg
EQNI4BA1C411	IP20 (narrow beam)	85W	230V	E012129 junction box with 3 M25 entries	11Kg
EQNJ4BL1C421	IP54 (narrow beam)	165W	230V	E012129 junction box with 3 M25 entries	11Kg
EQNJ4BA1C411	IP20 (narrow beam)	165W	230V	E012129 junction box with 3 M25 entries	11Kg
EQNI4BC2C241	EX (wide beam)	85W	230V	E012129 junction box with 3 M25 entries	11Kg
EQNI4BC2C441	IP66 (wide beam)	85W	230V	E012129 junction box with 3 M25 entries	11Kg
EQNI4BC2C421	IP54 (wide beam)	85W	230V	E012129 junction box with 3 M25 entries	11Kg
EQNI4BC2C411	IP20 (wide beam)	85W	230V	E012129 junction box with 3 M25 entries	11Kg
EQNJ4BL2C421	IP54 (wide beam)	165W	230V	E012129 junction box with 3 M25 entries	11Kg
EQNJ4BL2C411	IP20 (wide beam)	165W	230V	E012129 junction box with 3 M25 entries	11Kg