



IMT products are:

- **Maintenance free**
- **Safety**
- **Environmental friendly**

IQL® Cobra Area-/ Streetlight

Main Characteristics

100,000 'maintenance free' operational hours. *
Luminaire is sealed for life
Shock and vibration resistant
Patented construction

Specification/Technical Data

Housing	: Powder coated aluminium
Lens	: Glass thermally toughened
Colour Rendering	: RA>80
Lamp Colour	: White (colour 830)
Ingress Protection	: IP43 general : IP54 optical
Voltage Range	: 200-277Vac/dc 50/60Hz +/- 6% or 100-120Vac/dc +/-6%
Burning Position	: Universal
(Re)ignition	: Instant
Ambient Temperature	: -40°C to +40°C
Power Factor/ Cos φ	: > 0.92

Options

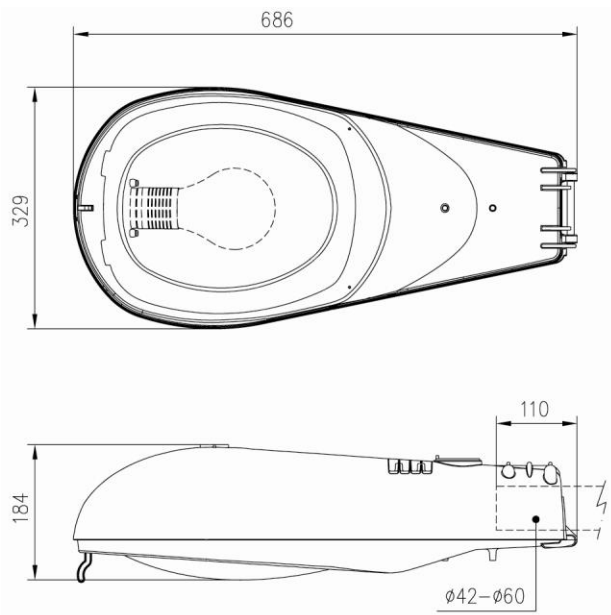
Lamp Colour	: Warm White (colour 827) Cool White (colour 840) ClearSky
Wattage	: 55 watt and 85 watt



IQL® Cobra AE-150 Area-/ Streetlight 55/85W

* For the 165 Watt model the expectance is 60,000 hours of maintenance-free operation.

Dimensions



IQL® Cobra AE-150 Area-/ Streetlight 55/85W

Ordering Details

Article code	Version	Wattage	Voltage	Protection
EQCH4BA0I421	Safe Area	55W	230V	Protection class 1
EQCI4BA0I421	Safe Area	85W	230V	Protection class 1
EQCH4BA0Z521	Safe Area	55W	230V	Protection class 2
EQCI4BA0Z521	Safe Area	85W	230V	Protection class 2