

**The IMT products are:**

- Maintenance free
- Safety
- Environmental friendly

## ILED®

### Dorado Medium Intensity Obstruction Light Type B

#### Main Characteristics

Approx 100.000 hours Maintenance Free  
 Hermetically Sealed for life  
 Shock and vibration resistant  
 Special heat management system  
 According to ICAO Annex 14 Vol. 1  
 No moving parts

#### Specification/Technical Data

Housing	: Marine Grade Aluminium
Lens	: Toughened Borosilicate Glass
Ingress Protection	: IP66
Voltage Range	: 24Vdc ±10%
Average Power	: Approx 20W
Input current max	: 4,5A
Horizontal Emission	: 360°
Burning Position	: Base down
(Re)ignition	: Instant
Ambient Temperature	: -40°C to +55°C
Termination	: Ex e Junction Box 3xM25 entries.
Construction	: No moving parts

#### Certification details

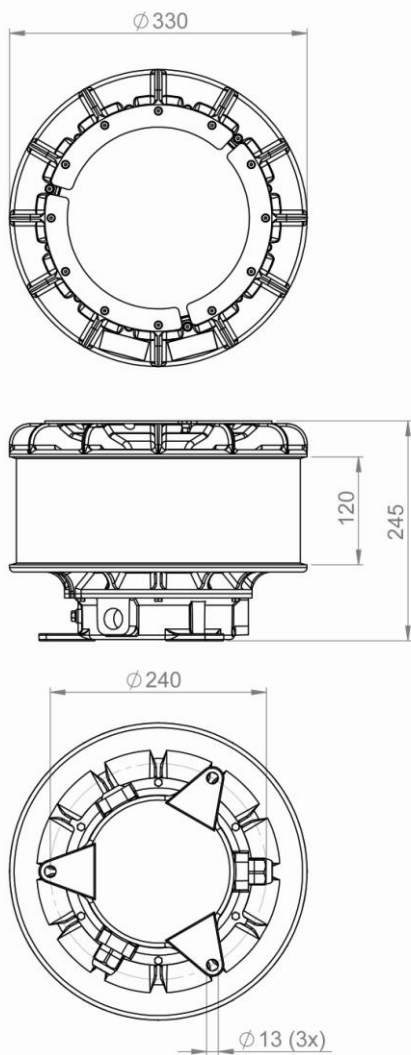
ATEX Classification	: Group II, Category 2, Gas and Dust
Area Classification	: Category 2 (Zone 1 and 2)
Certificate ATEX	: SIR11ATEX3053X
Certificate IECEx	: IECEx SIR 11.0031X
Marking	: EX II 2 GD Ex e mb IIC T4 Gb EX II 2 GD Ex tb IIIC T135 Db IP66

#### Options

Mounting Brackets	: On request
Industrial Version	: IP66
Facility for synchronisation through GPS	
Bird spike	



## Dimensions



## Ordering Details

Article code	Wattage	Nominal Voltage	Connection	Weight
ELOA1HAHA243	20W	24Vdc	Ex e Junction Box 3xM25 entries	18Kg