

**The IMT products are:**

- Maintenance free
- Safety
- Environmental friendly

## **ILED®** Dorado Status Light

### **Main Characteristics**

Approx 100.000 hours Maintenance Free  
Hermetically Sealed for life  
Shock and vibration resistant  
According to CAA CAP437

### **Specification/Technical Data**

Housing	: Marine Grade Aluminium
Lens	: Toughened Borosilicate Glass
Ingress Protection	: IP66
Voltage Range	: 24 Vdc ± 10%
Average Power	: 63W
Input current max	: 5,2A
Light output	: 2-10° 700cd min. 0-90° 176cd min. according to CAA CAP437
Light output dimmed	: 60cd max. according to CAA CAP437
Flash Frequency	: 2Hz
Horizontal Emission	: 360°
Burning Position	: Base down
(Re)ignition	: Instant
Ambient Temperature	: -40°C to +55°C
Termination	: Ex e Junction Box 3xM25 entries.
Construction	: No moving parts

### **Certification details**

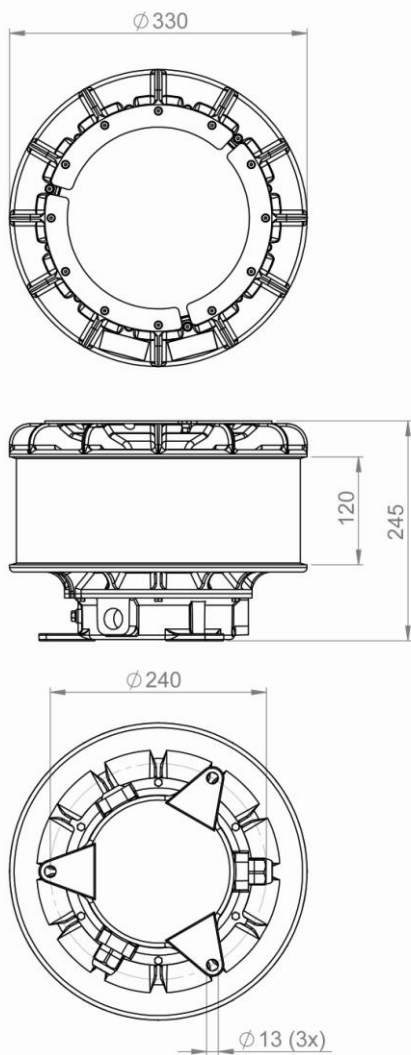
ATEX Classification	: Group II, Category 2, Gas and Dust
Area Classification	: Category 2 (Zone 1 and 21)
Certificate ATEX	: SIRA11ATEX3053X
Certificate IECEx	: IECEx SIR 11.0031X
Marking	: EX II 2 GD Ex e mb IIC T4 Gb EX II 2 GD Ex tb IIIC T135 Db IP66

### **Options**

Mounting Brackets	: On request
Industrial Version	: IP66



## Dimensions



## Ordering Details

Article code	Wattage	Nominal Voltage	Connection	Weight
ELW51HA0C243	63W	24Vdc	Ex e Junction Box 3xM25 entries.	18Kg