

**The IMT products are:**

- Maintenance free
- Safety
- Environmental friendly

## **ILED®** Dorado Marine Light U-Code

### **Main Characteristics**

Approx 100.000 hours Maintenance Free  
Hermetically Sealed for life  
Shock and vibration resistant  
Special heat management system  
According to IALA regulations  
No moving parts

### **Specification/Technical Data**

Housing : Marine Grade Aluminium  
Lens : Toughened Borosilicate Glass  
Ingress Protection : IP66  
Voltage Range : 24 Vdc  $\pm$  10%  
Power : Approx 8W per morse cycle  
Input current max : 1,5A  
Standard Codified Light : Morse "U" Code  
Luminous Range : 10 nautical miles (white)  
Horizontal Emission : 360°  
Burning Position : Base down  
(Re)ignition : Instant  
Ambient Temperature : -40°C to +55°C  
Termination : Ex e Junction Box 3xM25 entries.  
Construction : No moving parts

### **Certification details**

ATEX Classification : Group II, Category 2, Gas and Dust  
Area Classification : Category 2 (Zone 1 and 21)  
Certificate ATEX : SIR11ATEX3053X  
Certificate IECEX : IECEX SIR 11.0031X  
Marking : EX II 2 GD Ex e mb IIC T4 Gb  
EX II 2 GD Ex tb IIIC T135 Db IP66

### **Information**

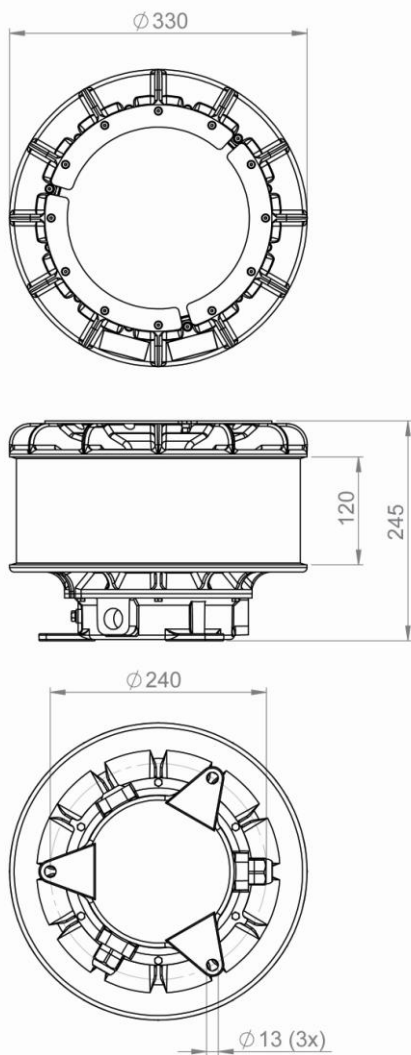
- Control, monitoring and Synchronization from Nav Aid Central Control Panel
- Automatic operation via central photocell from Nav Aid Central Control panel

### **Options**

Mounting Brackets : On request  
Industrial Version : IP66  
Facility for synchronisation through GPS  
Bird spike



## Dimensions



## Ordering details

Article code	Wattage	Nominal Voltage	Connection	Weight
ELUZ1JAF243	8W	24Vdc	Ex e Junction Box 3xM25 entries.	18kg