

The IMT products are:

- **Maintenance free**
- **Safety**
- **Environmental friendly**

Endura

Pitbul Multi Purpose Light

Main Characteristics

Explosion proof indoor and outdoor luminaire with high frequency generator.

Equipped with Endura long life lamp (60.000hr), especially for areas with difficult and expensive change of the lamp

Specification/Technical Data

Lens	: hardened glass
Body	: Stainless steel 304
Ingress Protection	: IP65
Input voltage	: 230V 50/60 Hz
Lamp options	: 70, 100 or 150W
Light source	: Endura Long Life (60.000 hour)
Temperature range	: -20°C to +30°C
Cable gland	: M20

Certification Details

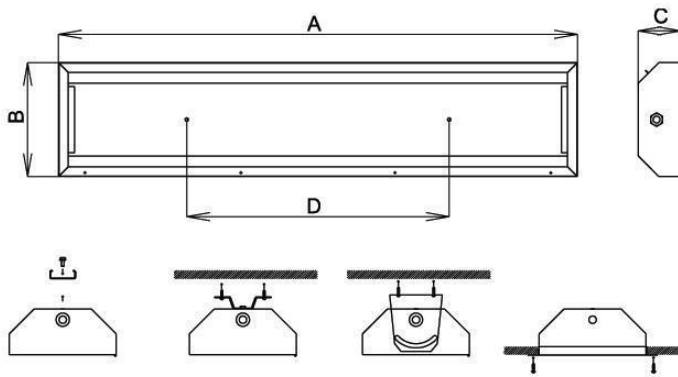
ATEX Classification	: Group II, Category 3, gas and dust
Area Classification	: Category 3 (Zone 2 and 22)
Certification	: FTZU 06 ATEX 0168
Marking	: EX II3GD Ex nA tD A II T4 T87°C

Options

White painted metal sheet body
Mounting brackets
PC lens



Dimensions



Ordering Details

Article code	Wattage	Voltage	Connection	Dimensions (AxBxCxD)	Weight
EIST4BL0Z338	70W	230V	M20 Cable Gland	701x302x130x450 mm	8,0Kg
EISU4BL0Z338	100W	230V	M20 Cable Gland	701x302x130x450 mm	8,0Kg
EISV4BL0Z338	150W	230V	M20 Cable Gland	701x302x130x450 mm	8,0Kg