

IMT products are:

- Maintenance free
- Safety
- Environmental friendly

ILED® Factotum Obstruction Light

Main Characteristics

Up to 100.000 hours Maintenance Free
Shock and vibration resistant
According to ICAO Annex 14, CAA CAP437
Low Intensity Type - B

Specification/Technical Data

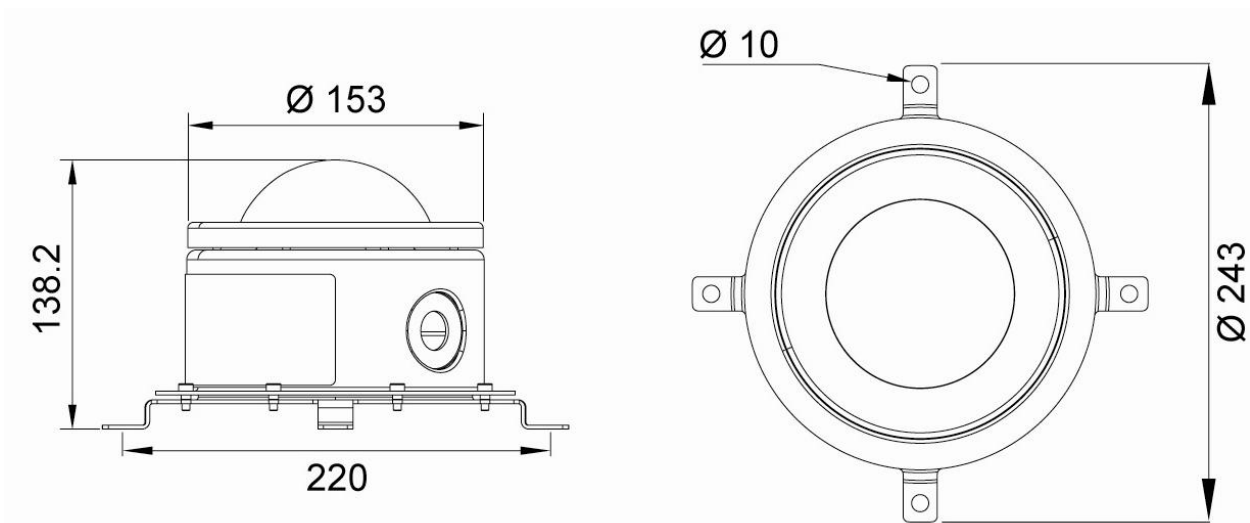
Housing : Coated Stainless Steel 316L (AISI)
Colour : Red
Lens : Tempered Glass
Ingress Protection : IP67
Voltage Range : 95-255 Vac 50/60Hz
Power : 18 W
Burning Position : Universal
(Re)ignition : Instant
Ambient Temperature : -30°C to +55°C
Cable Gland Entry : 2xØ20,2 entries suitable for M20
Terminals : 0,08 - 2,5 mm², Suitable for through wiring

Options

Mounting Brackets : On request
ILED® color : Green and White



Dimensions



Ordering Details

Article code	Wattage	Nominal voltage	Connection	Weight
ELPB5HP0A453	18W	95-255 Vac 50/60Hz	2x $\varnothing 20,2$ entries suitable for M20	2,5 Kg