

**IMT products are:**

- Maintenance free
- Safety
- Environmental friendly

# IQL®

## Helios Area-/ Streetlight

### Main Characteristics

100,000 'maintenance free' operational hours.\*  
Luminaire is sealed for life  
Shock and vibration resistant  
Patented construction

### Specification/Technical Data

Housing	: Copper Free Aluminium
Lens	: Toughened Glass
Colour Rendering	: RA>80
Lamp Colour	: White (colour 830)
Ingress Protection	: IP66
Voltage Range	: 200-277Vac/dc 50/60Hz +/- 6% or 100-120Vac/dc +/-6%
Burning Position	: Universal
(Re)ignition	: Instant
Ambient Temperature	: -40°C to +40°C
Power Factor/ Cos φ	: > 0.92

### Options

Lamp Colour	: Warm White (colour 827) Cool White (colour 840) ClearSky
Wattage	: 55 watt, 85 watt and 165 watt
Connection IP66	: Standard-3 pole Terminal Block
Connection EX Zone2	: Standard-8M flying lead Type RMcL H07RN-F 3x2.5mm <sup>2</sup>
Industrial Version	: IP66
Hazardous Areas	: ATEX Category 3 (Zone 2 and Zone 22)

### Certification details EX version (zone 2)

ATEX Classification	: Group II, Category 3, Gas and Dust
Area Classification	: Category 3 (Zone 2 and 22)
Certificate	: PHX04ATEX1001X
Marking	: EX II 3 GD EEx nA II T4 T135°C



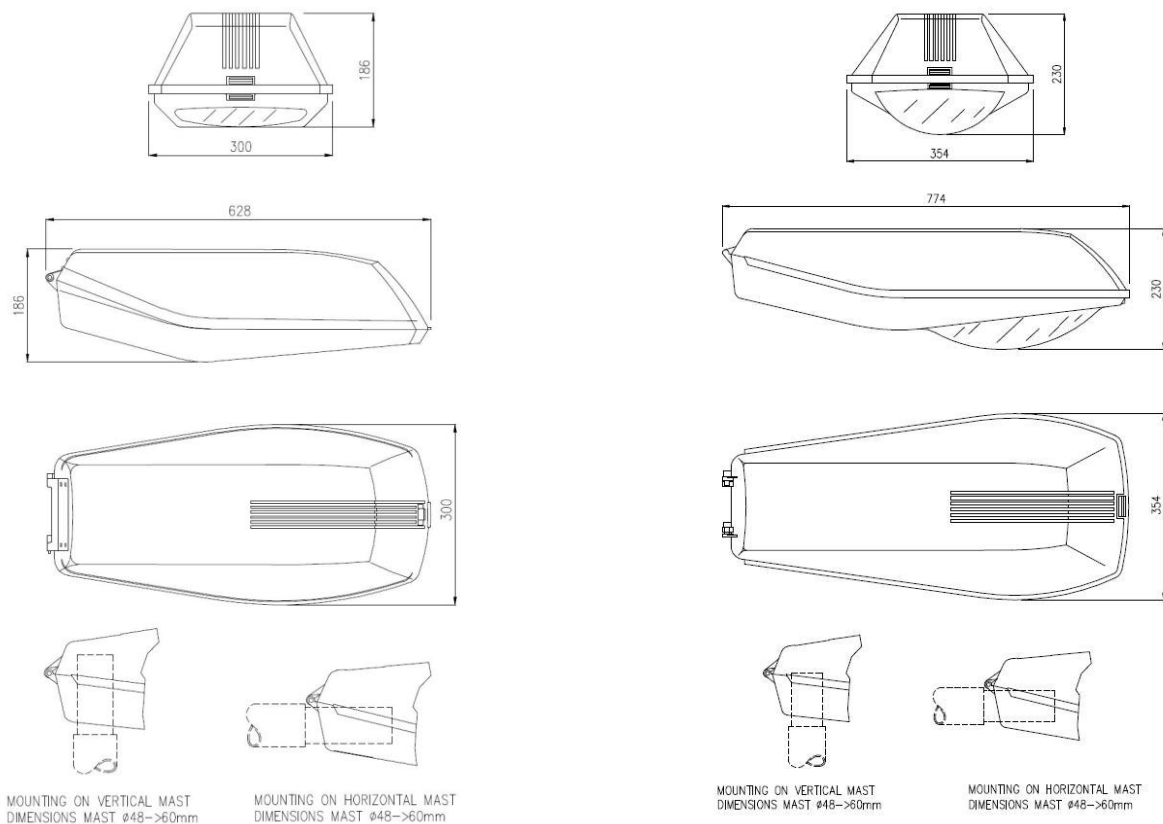
*IQL® Helios Area-/ Streetlight 85W*



*IQL® Helios Area-/ Streetlight 165W*

\*165 watt 60,000 'maintenance free' operational hours

## Dimensions



*IQL® Helios Area-/ Streetlight 85W*

*IQL® Helios Area-/ Streetlight 165W*

## Ordering Details

Article code	Version	Wattage	Voltage	Connection	Weight
EQJH4BA0F341	EX (zone2)	55W	230V	Standard 8M Flying lead	8,1Kg
EQJH4BAI441	IP66	55W	230V	Standard 3 pole terminal block	8,1Kg
EQJI4BA0F341	EX (zone2)	85W	230V	Standard 8M Flying lead	8,7Kg
EQJI4BA0I441	IP66	85W	230V	Standard 3 pole terminal block	8,7Kg
EQJJ4BA0F341	EX (zone2)	165W	230V	Standard 8M Flying lead	11,4Kg
EQJJ4BA0I441	IP66	165W	230V	Standard 3 pole terminal block	11,4Kg