

IMT products are:

- Maintenance free
- Safety
- Environmental friendly

HID

8 Series Floodlight

Main Characteristics

High power explosion proof floodlight.
 2 Pack epoxy paint on primed surface, suitable for offshore conditions
 Easy and quick relamping through threaded access cover
 Narrow / Wide beam adjustment

Specification/Technical Data

Body	: Corrosion resistant Marine grade aluminium
Lens	: Toughened borosilicate glass cover
Ingress Protection	: IP66
Input voltage	: 220/270V, 50/60Hz
Power factor	: 0,90 (cos Φ)
Lamp options	: 150W / 250W / 400W
Light source	: HPMV / SON / MBI / Tungsten
Temperature range	: -20°C to +55°C
Weight	: 33 kg
Cable gland	: 2xM20 (1 plugged), through wiring possible

Certification details

ATEX Classification	: Group II, Category 2, gas and dust
Area Classification	: Category 2 (Zone 1 and 21)
Certificate	: SIRA 01 ATEX 1035
Marking	: EEx de II 2 GD IIB T3

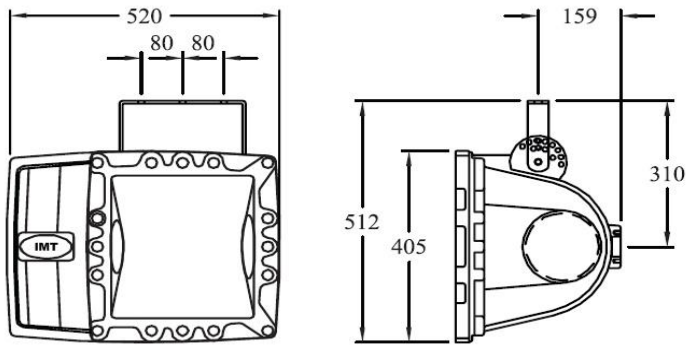
150W, 250W SON	T3 at Ta = 55°C (D = T147°C)
250W MBI	T3 at Ta = 55°C (D = T147°C)
500W Tung Halogen	T3 at Ta = 55°C (D = T175°C)
250W HPMV	T3 at Ta = 55°C (D = T147°C)
400W SON/MBI	T3 at Ta = 40°C (D = T147°C)
400W HPMV	T3 at Ta = 40°C (D = T147°C)
500W Tung Halogen	T3 at Ta = 55°C (D = T173°C)
150W, 250W SON	T3 at Ta = 40°C (D = T127°C)

Options

Adjustable stainless steel mounting bracket
 Paint color
 Other types of threads on request



Dimensions



Ordering Details

Article code	Version	Wattage	Voltage	Connection	Dimensions (l x w x h)	Weight
ENFN4AL0Z294A	EX (SON)	400W	230V	2 x M20 (1 plugged), trough wiring possible	310 x 488 x 290 mm	33Kg
EMFN4L0Z249A	EX (MH)	400W	230V	2 x M20 (1 plugged), trough wiring possible	310 x 488 x 290 mm	33Kg