



The IMT products are:

- Maintenance free
- Safety
- Environmental friendly

ILED®

Lyra Marine Light U-Code 5NM

Main Characteristics

Approx 100.000 hours Maintenance Free
Hermetically Sealed for life
Shock and vibration resistant
According to IALA regulations
No moving parts

Specification/Technical Data

Housing : Marine Grade Aluminium Anodized
Lens : PC with UV Filter
Ingress Protection : IP66
Voltage Range : 24 Vdc \pm 10%
Multivoltage 95-255Vac
Power : Approx 2W per morse cycle
Standard Codified Light : Morse "U" Code
Luminous Range : 5 nautical miles (red)
Horizontal Emission : 360°
Burning Position : Base down
(Re)ignition : Instant
Ambient Temperature : -40°C to +55°C
Termination : Ex e Junction Box 2xM25 entries.

Certification details

ATEX Classification : Group II, Category 2, Gas and Dust
Area Classification : Category 2 (Zone 1 and 21)
Certificate : SIRA 11ATEX3101X
Certificate : IECEX SIR 11.0046X
Marking : EX e IIC T4 Gb
EX tb IIIC T135°C Db

Information

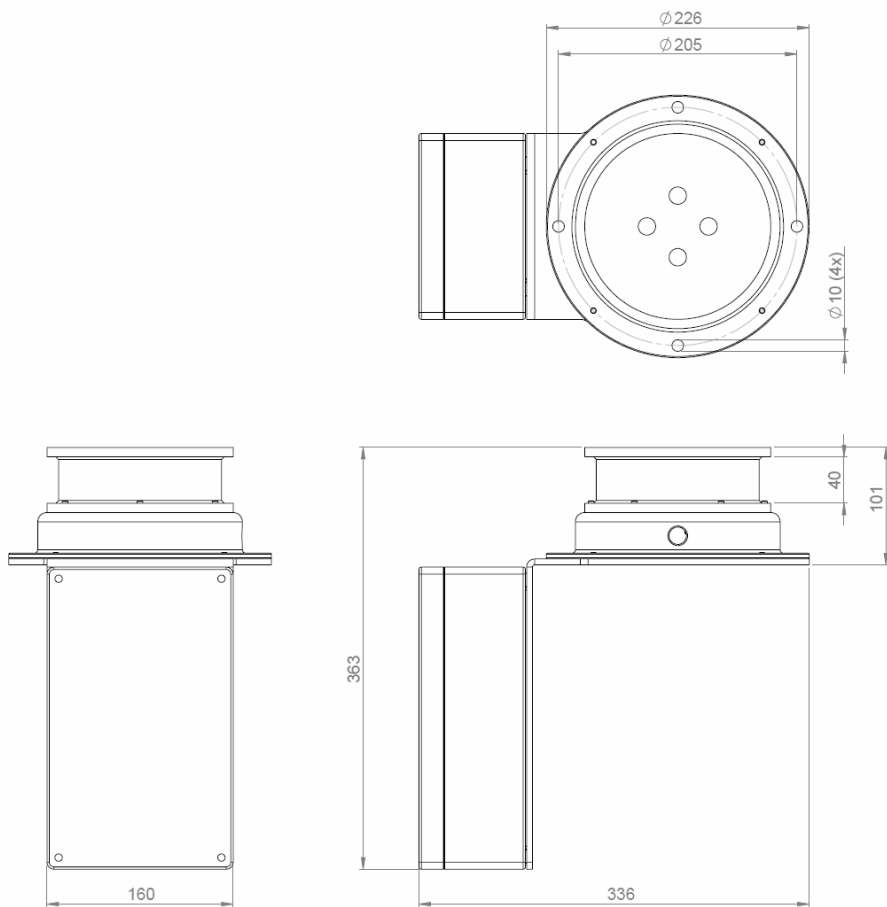
- Control, monitoring and Synchronization from Nav Aid
Central Control Panel
- Automatic operation via central photocell from Nav Aid
Central Control panel

Options

Mounting Brackets : On request
Industrial Version : IP66
Facility for synchronisation through GPS
Bird spike



Dimensions



Ordering Details

Article code	Version	Wattage	Voltage	Connection	Weight