



The IMT products are:

- Maintenance free
- Safety
- Environmental friendly

ILED®

Sig-Mare Floodlight/ General Light

Main Characteristics

Approx 50.000 hours Maintenance Free
Sealed for life
Shock and vibration resistant

Specification/Technical Data

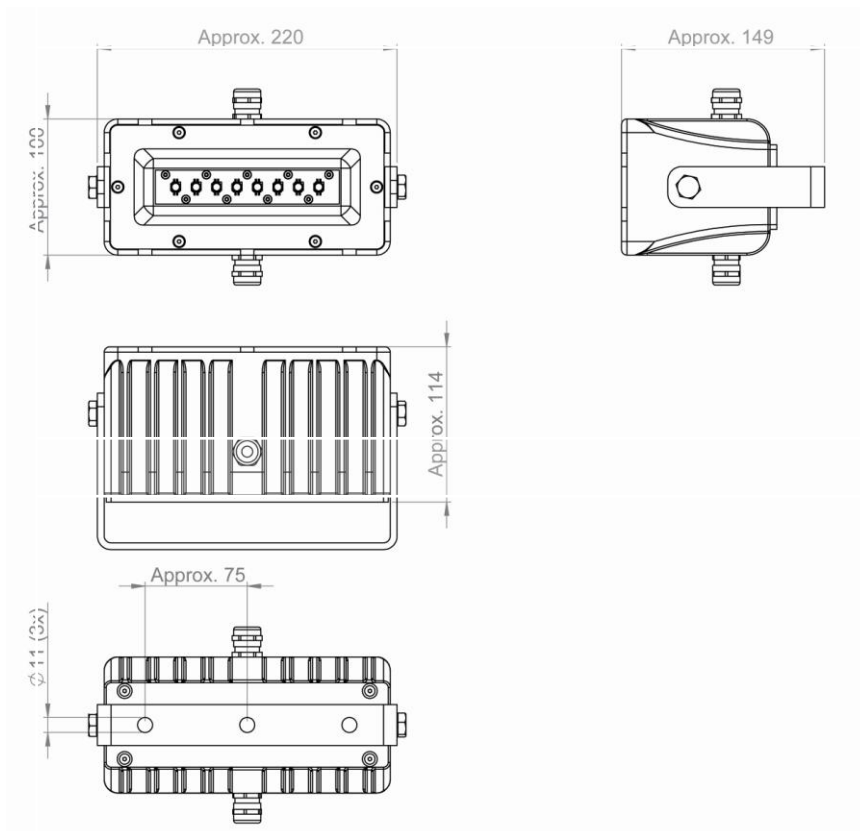
Housing	: Marine Grade Aluminium
Lens	: Toughned Borosilicate Glass
Ingress Protection	: IP66
Power	: 20W
Burning Position	: Universal
(Re)ignition	: Instant
Light output	: 1200lm, white
Colour Rendering	: RA>80
Ambient Temperature	: -40°C to +40°C
Termination	: Junction Box 2xM16 entries, Terminals suitable for max 4mm ² , suitable for through wiring.

Options

Mounting Brackets	: On request
Power Supply	: Multi-voltage with external 24Vdc input



Dimensions



Ordering Details

Article code	Voltage range
Sig Mare GL-LED-WT-AC	100-240Vac 50/60Hz
Sig Mare GL-LED-WT-AC-DC	100-240Vac 50/60Hz, 24Vdc +/-10%