



IMT products are:

- Maintenance free
- Safety
- Environmental friendly

ILED® Taurus Obstruction Light

Main Characteristics

Low intensity A/B
Approx 100,000 'maintenance free' operational hours.
Luminaire is sealed for life
Shock and vibration resistant
According to ICAO Annex 14

Specification/Technical Data

Housing : Stainless Steel 316L (AISI)
Lens : Toughened Soda Lime Glass
Ingress Protection : IP66
Voltage Range : Multi-voltage (95 - 255 Vac/130-360 Vdc 50/60Hz)
24 Vdc
Power : Multi-voltage 20w
24Vdc 10W
Burning Position : Universal
(Re)ignition : Instant
Ambient Temperature : -40°C to +55°C
Termination : Standard – Ex e Junction Box c/w
3xM20 entries, Terminals suitable
for max 4 mm², Suitable for
through wiring

Certification details

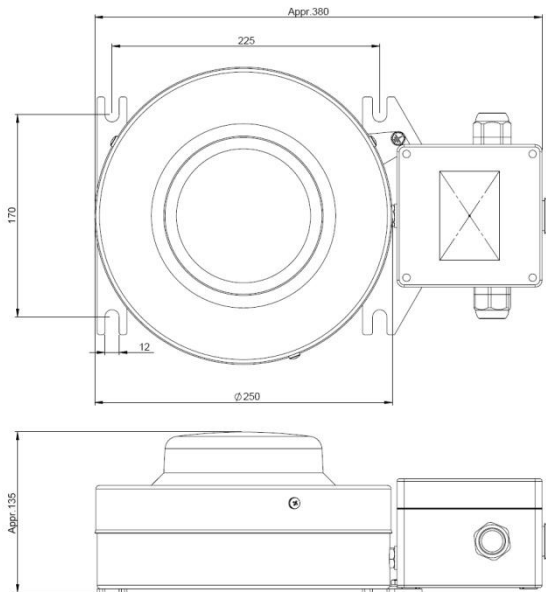
ATEX Classification : Group II, Category 2, Gas and Dust
Area Classification : Category 2 (Zone 1 and 21)
Certificate (kema) : KEMA 08ATEX0158X
Certificate (ncc) : NCC 6386/10X
Marking : EX II 2 G Ex e mb II T4
EX II 2 D Ex tD A21 IP66 T 100 °C

Options

Mounting Brackets : On request



Dimensions



Ordering Details

Article code	Version	Wattage	Voltage	Connection	Weight
ELOZ1AR0E243	EX	10W	24 Vdc	E012129 junction box with 3 M20 entries with ECP*	9Kg
ELOZ5AR0E243	EX	20W	Muliti-voltage	E012129 junction box with 3 M20 entries with ECP*	9Kg

* Earth Continuity Plate